



**SINKDIRECT**

**INSTALLATION INSTRUCTIONS**

STAINLESS STEEL APRON FRONT KITCHEN SINK

SD-HAP50 | SD-HAP33

# IMPORTANT INFORMATION

---

- Read these instructions carefully before you begin this installation.
- Observe all applicable local plumbing and building codes.
- Sink Direct LLC recommends all sinks are installed by experienced and professional installers. To ensure safety and damage-free installation, this sink should be installed by two people. Sink Direct LLC reserves the right to revise the design of products without notice.

## BEFORE YOU BEGIN

---

- Sink Direct LLC recommends that all apron front sinks should be installed by an experienced, professional installer.
- **IMPORTANT:** The enclosed cutout template will create a countertop opening with a minimal (1/8" or less) reveal. It is recommended that you discuss with your installer and agree that the finished appearance is the desired effect. Sink Direct LLC not responsible for improper sink or countertop installations.
- **IMPORTANT:** The cabinet must be installed, secured, plumb, and level. The front sink apron must be secured to the front of the cabinet by attaching fasteners through the cabinet front and into the support framing. Failure of this step can lead to product damage.
- **IMPORTANT:** Long screws may damage adjacent cabinets. Ensure the screws are long enough to secure the support framing, but short enough not to go through the walls of adjacent cabinets.
- Sink Direct LLC apron front sinks should only be fastened to a solid surface countertop (i.e. granite, Corian® or Silestone®).
- A custom sink base cabinet and support framing is required for proper installation. Sink Direct LLC recommends providing the cabinet maker with the actual sink to be installed prior to cabinet fabrication.
- Sink Direct LLC is not responsible for sink or countertop if damaged during installation. Be sure to inspect the sink for damage prior to beginning installation.
- Metal edges may be sharp – use caution when handling. Follow all local plumbing and building codes.



**CAUTION:**

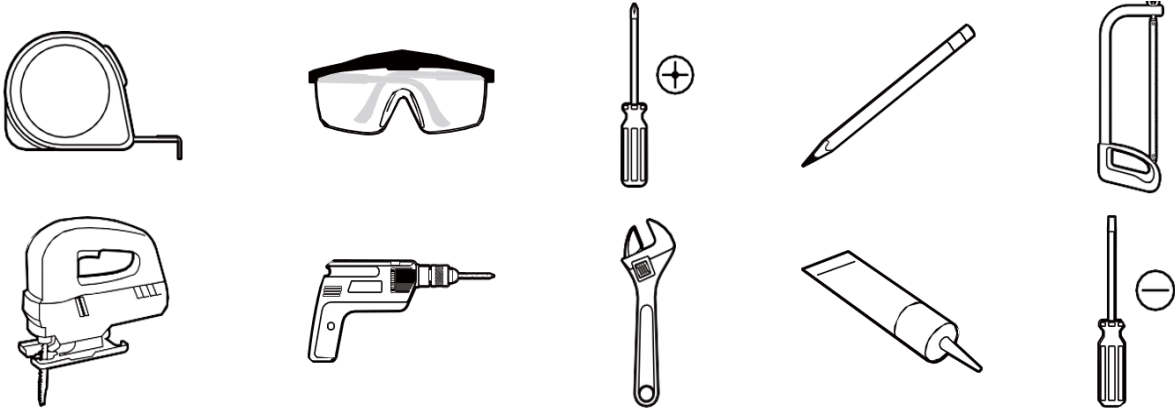
Risk of personal injury or product damage. Handle with care. Product can break, chip, cause injury or product damage.

**WARNING:**

This product can expose you to chemicals, including lead, which is known to the state of California to cause cancer and birth defects or other reproductive harm.

For more information go to [p65warnings.ca.gov](http://p65warnings.ca.gov)

# RECOMMENDED TOOLS

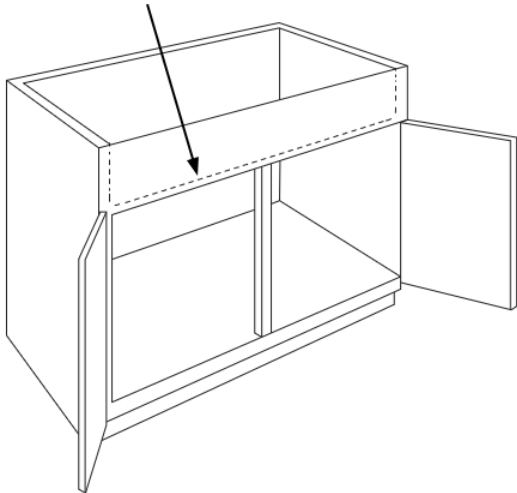


- Tape Measure
- Safety Glasses
- Painter's Tape
- Level
- Ear Protection
- Hacksaw/Jigsaw
- Pencil (Non-permanent marker)
- Shims or Cabinet Fillers
- Denatured Alcohol
- Clamps
- Construction Adhesive
- Silicone Adhesive Sealant
- Support Framing Material (1 1/4" (32mm) Max Thickness)
- Screws (recommended by countertop manufacturer)

# APRON FRONT SINK INSTALLATION INSTRUCTIONS

## STEP 1: BASE CABINET PREPARATION

Outline for Apron Front Sink Cutout



- Apply painter's tape to the cabinets for marking and cutting purposes. This will protect the cabinet from damage while cutting.
- Mark the front apron cut out on the painter's tape using the dimension of the apron front.
- Using a sharp saw blade, carefully cut the cabinet on the traced line.
- **IMPORTANT:** The cabinet must be installed, secured, plumb, and level BEFORE installing the sink.
- **IMPORTANT:** Sink Direct LLC recommends providing the cabinet maker with the actual sink prior to cabinet fabrication. Before installing the sink, verify that the distance from the top of the doors to the top of the cabinet is greater than the apron front.
- **IMPORTANT:** Double check the measurement of the cabinet cutout and make any necessary adjustments by either adding filler strips or sanding the opening.

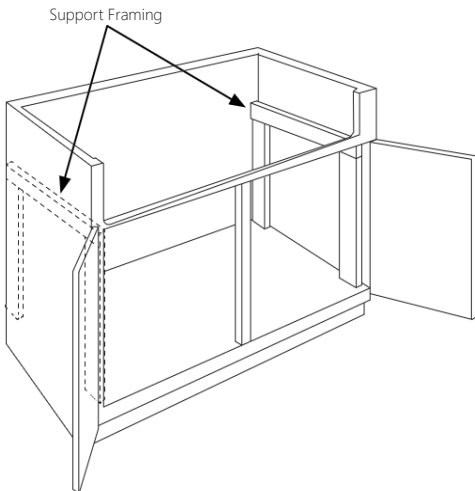
## STEP 2: COUNTERTOP PREPARATION

Outline for Apron Front Sink Cutout



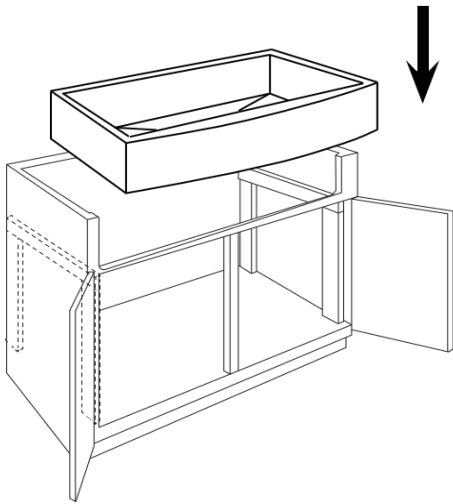
- Position the template (provided with your sink) on the bottom of the countertop, flush to the front and centered; secure with tape.
- Trace the template and remove. Dry fit the sink to verify the measurements.
- Following the countertop manufacturer's instructions, carefully cut the countertop on the traced line.

## STEP 3: CABINET/SUPPORT FRAME CONSTRUCTION



- Cut two lengths of support framing to extend horizontally along the inside walls on each side of the cabinet.
- Measure and mark the support mounting locations; ensure the sink rim will sit at or slightly below the top of the cabinet.
- Position and level the supports.
- Secure the supports with construction adhesive and screws (not provided).
- Cut lengths of support framing to extend from the bottom of the horizontal supports to the floor of the cabinet.
- Secure the vertical supports with construction adhesive and screws (not provided).
- **IMPORTANT:** Long screws may damage adjacent cabinets. Ensure the screws are long enough to secure the support framing, but short enough not to go through the walls of adjacent cabinets.
- **IMPORTANT:** A custom sink base cabinet and support framing is required for proper installation.
- **IMPORTANT:** Make sure the top of the sink does not extend above the top of the cabinet; otherwise, it will interfere with countertop installation.

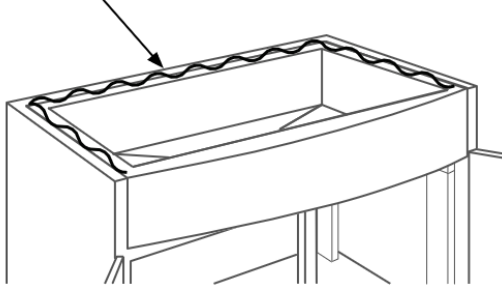
## STEP 4: SINK INSTALLATION



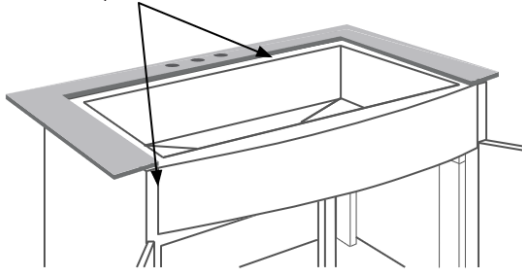
- Lower the sink onto the supports and verify the sink is supported by the frame.
- Push the sink in to ensure the apron is flush to the front of the cabinet. Verify the sink is level. Make any adjustments and shim as needed.
- Secure the sink. (Clips come with the sink are optional)
- **IMPORTANT:** The front sink apron must be secured to the front of the cabinet by attaching fasteners through the cabinet front and into the support framing. Failure of this step can lead to product damage.
- **IMPORTANT:** Sink Direct LLC is not responsible for sink or countertop if damaged during installation. Be sure to inspect the sink for damage prior to beginning installation.
- **IMPORTANT:** Metal edges may be sharp – use caution when handling.

## STEP 5: COUNTERTOP INSTALLATION

Apply Silicone Sealant after Cleaning the Sink Edge and Countertop



Apply Silicone Sealant Where the Sink Meets the Countertop and Cabinet



- Clean the bottom of the countertop and the top flange (or lip) of the sink with denatured alcohol.
- Apply a narrow bead of silicone adhesive sealant around the side and back of the sink.
- Carefully position and secure the sink to the countertop following the manufacturer's instructions.
- Apply a thin bead of silicone sealant where the sink meets the countertop and cabinet.
- Immediately remove excess sealant.
- **IMPORTANT:** The enclosed cutout template will create a countertop opening with a minimal (1/8" or less) reveal. It is recommended that you discuss this with your installer and agree that this finished appearance is the desired effect. Sink Direct LLC is not responsible for improper sink or countertop installations.
- **IMPORTANT:** Sink Direct LLC apron front sinks should only be fastened to a solid surface countertop (i.e. granite, Corian® or Silestone®).
- **IMPORTANT:** Make sure the top of the sink does not extend above the top of the cabinet; otherwise, it will interfere with countertop installation.

## FINAL STEP

- Following all local plumbing and building codes, install the faucet according to the manufacturer's instructions.
- Connect the drain and piping.
- Run water into the sink and check all connections for leaks.
- **IMPORTANT:** For additional information please contact us. Phone: (943) 666-8088.